

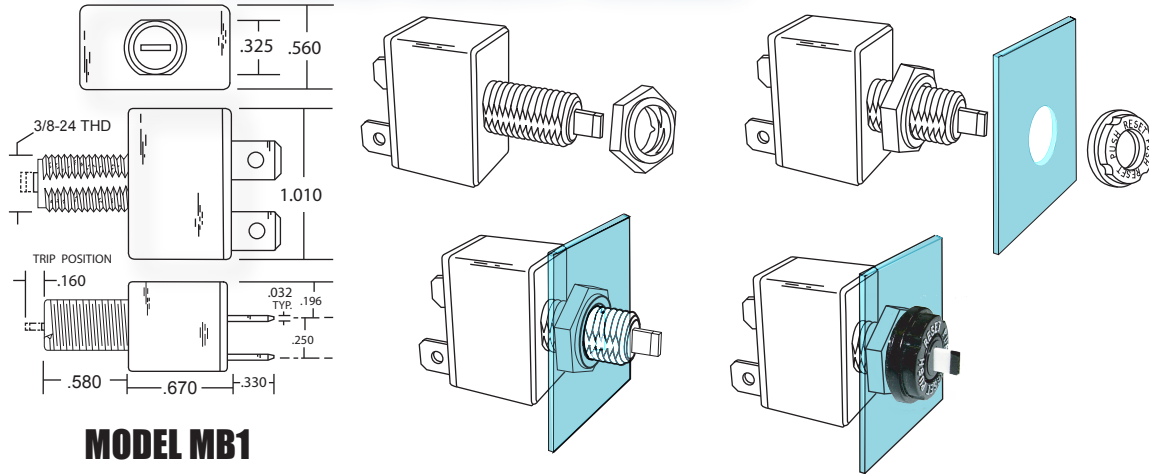
Fits existing mounting holes.

# MB1 THREAD MOUNT MODEL

Standard 3/8-24 threaded bushings easily adapted to many existing panel knock out hole dimensions.

Either Hex Nut or Bushing with various diameter guide bosses provide unique flexibility of the MB1 to fit existing hole dimensions eliminating the need for re-tooling.

Panel Nut is clearly embossed with "PUSH RESET".



**MODEL MB1**

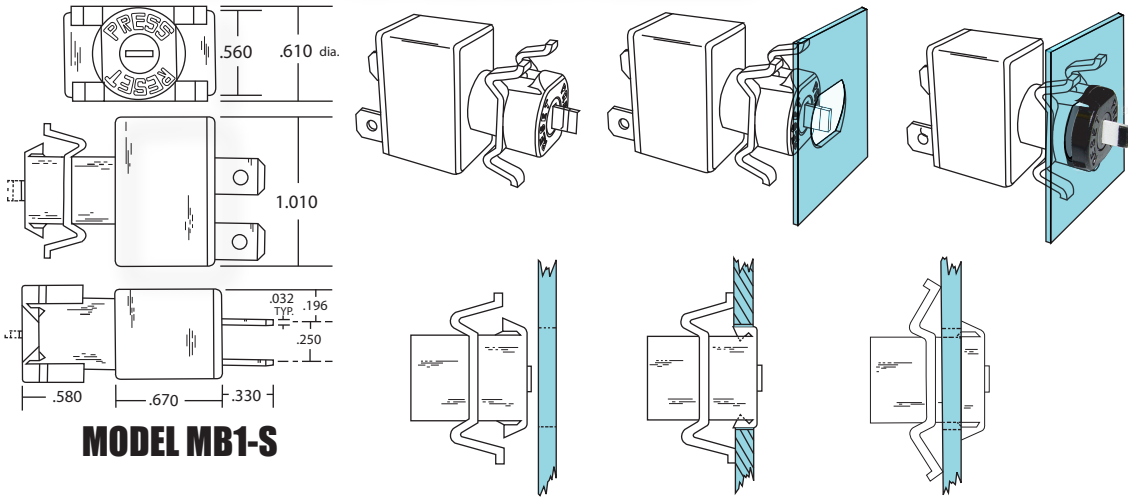
Eliminates assembly time.

# MB1 SNAP-IN MOUNT MODEL

Mounting hardware is eliminated via the patented Snap-In mounting bushing. Light pressure snaps breaker into double-D hole providing secure hold. (see Snap-In hole dimensions).

Fits panel thicknesses up to 1/8" thick.

Embossed with lettering "PRESS RESET".



**MODEL MB1-S**

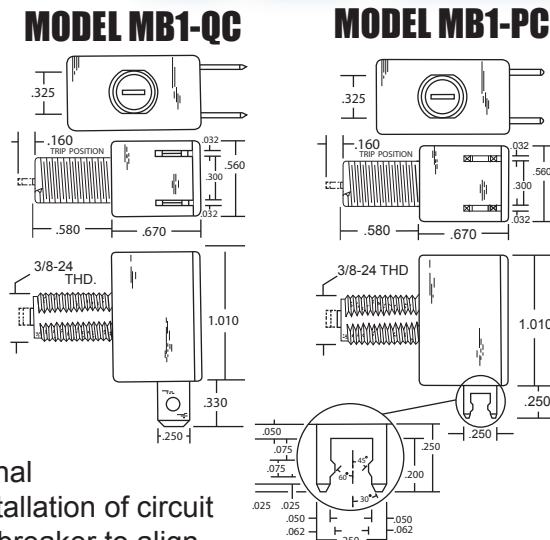
Direct PC mount/ minimal depth consumption.

# MB1 SIDE TERMINAL MODELS

The PC Model is directly soldered onto boards eliminating costly assembly, labor, connectors and wire.

The QC Model can be used with conventional wires and connectors or installed directly into PC board mountable quick connects.

Threaded mounting allows circuit board to be anchored to enclosure and allow external access to reset. Alternate installation of circuit board allows reset portion of breaker to align with access hole for external resetability in existing enclosure. Also available in Snap-In Version.



**MODEL MB1-QC**

**MODEL MB1-PC**

