

MADE IN U.S.A

MINI Circuit Breakers Model AT2



Direct replacement for " ATO/ATC & MINI "automotive style fuses
"Permanently" eliminates the need to replace blown ATO/ATC fuses

SPECIFICATIONS

Amp Ratings : 4, 5, 7.5, 10, 12, 15, 20, 25, 30, 40

Voltage Ratings : 14 VDC ; 28VDC

Operating Temperature : -40 F to 185 F (-40 C to 85 C).

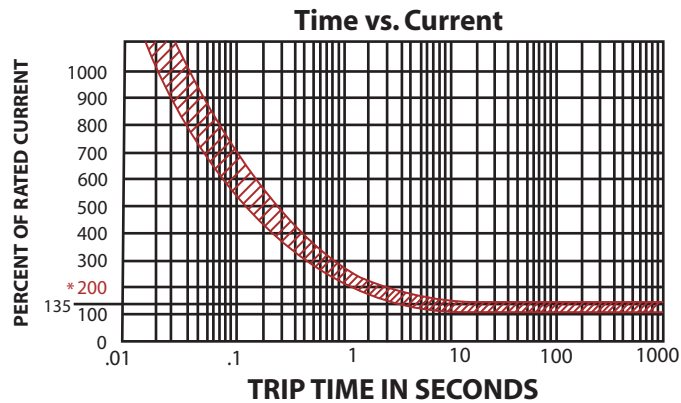
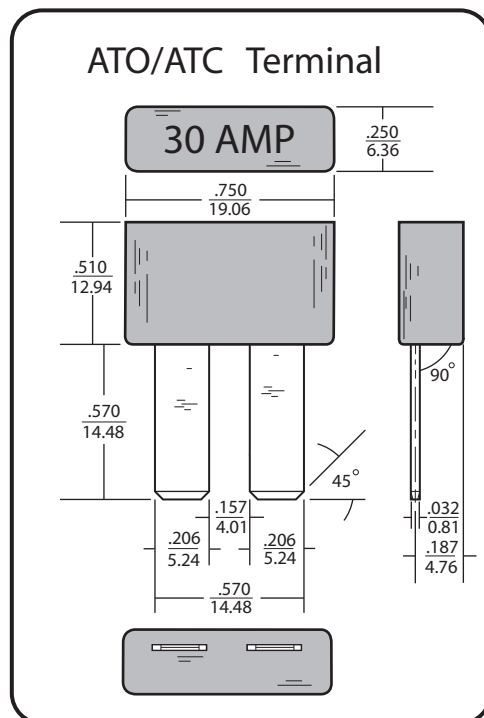
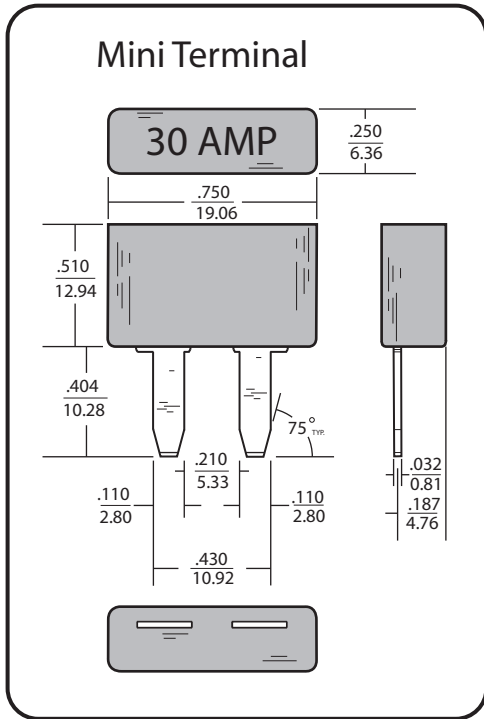
Storage Temperature : -40 F to 260 F (-40 C to 125 C).

Housing : UL Rated 94 VO Thermoplastic (Non - Conductive housing eliminates dangers of internal parts shorting to case).

Terminal Type : Compatible with ATO/ATC & Mini fuse blocks.

Versions : Type I Automatic reset Type II Remote reset.

Approvals : Meets or exceeds SAE standard J553



MUST HOLD 100 % @ 25° & 70°C
 150 % overload = 3.9 - 47 seconds
 175 % overload = 2.2 - 9.2 seconds
 * 200 % overload = 1.5 - 3.9 seconds
 250 % overload = 0.8 - 1.8 seconds
 300 % overload = 0.5 - 1.1 seconds
 400 % overload = 0.3 - 0.6 seconds
 500 % overload = 0.2 - 0.3 seconds

Ordering Information

Model Number	Type Reset	Amp Rating	Terminal Configuration
AT2	—	□	— □
Automatic Reset (Type I) = A		4	F57 = ATO/ATC Terminal .57 inches long (STANDARD)
-Upon overload the breaker <u>cycles continuously</u> during an overload condition until the overload is removed or corrected.		5	F33 = ATO/ATC Terminal .33 inches long
Remote Reset (Type II) = R		10	F25 = ATO/ATC Terminal .250 inches long
-Upon overload the breaker <u>opens and remains open</u> as long as power is available or the overload is removed.		15	MIN = Mini Terminal Configuration
		20	
		25	
		30	
		35	
		40	

(Example)

AT2 - A 20 - F57

Model Number Type Reset Amp Rating Term. Config.



1260 Rt.22 West

Mountainside, N.J. 07092 U.S.A.

www.snapaction.net

Phone: 908-654-4380