

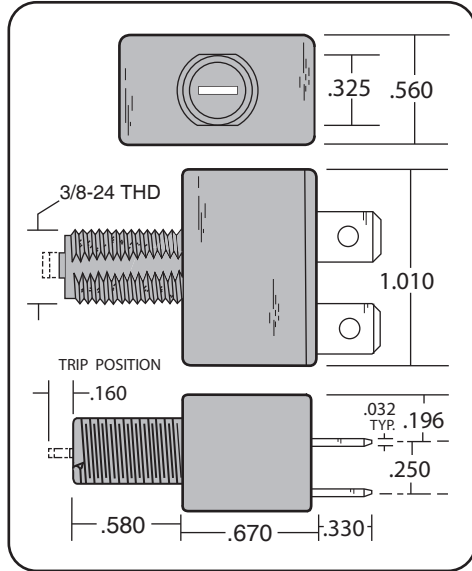
MADE IN U.S.A

# Circuit Breaker Model MB1



Push to reset direct fuse replacement

"Permanently" eliminates the need to replace blown glass fuses



ACTUAL SIZE

## SPECIFICATIONS

\*\*\* NOW AVAILABLE .01 thru 2.5A \*\*\*

Current Ratings: 2.5, 3, 4, 5, 6, 7, 8, 9, 10,

12, 13, 14, 15, 16, 18, 20, 25

(AC/DC) Voltage: 250 VAC maximum / 32 VDC Maximum

Interrupting Capacity: 1000A @ 250 VAC / 200 A @ 32 VDC

\* 2000 A @ 125 VAC ( 8 amp thru 25 amp)

\* MEETS NEWLY REVISED REQUIREMENTS FOR CIRCUIT PROTECTION OF U.L.STANDARD 1363 " RELOCATABLE POWER TAP"

Dielectric Strength : 1500 VAC 50/60 Hz

Part Weight : 8.6 grams (.303 oz.)

Certification: UL



#80246 (M)

Standard 1077

CSA



# LR 60314-2

TUV



# E9371085.02

SEMKO



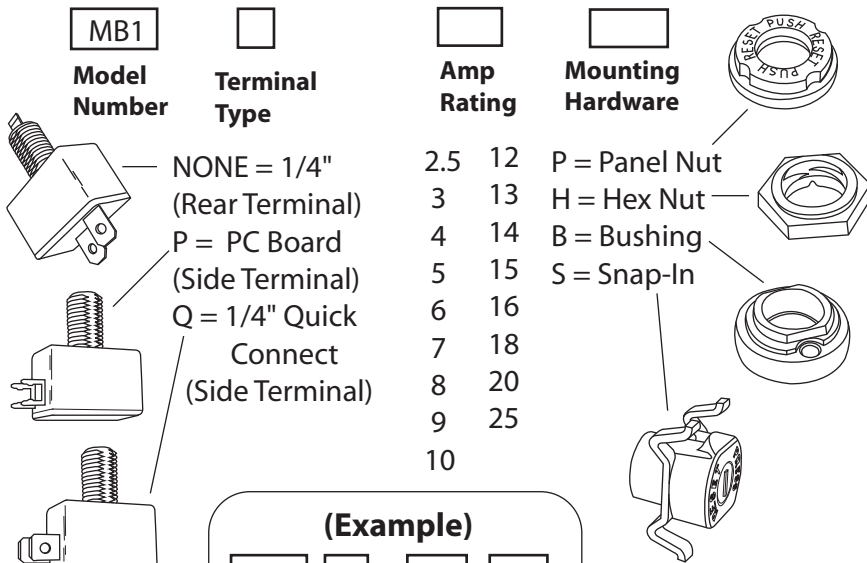
# 953308901

VDE



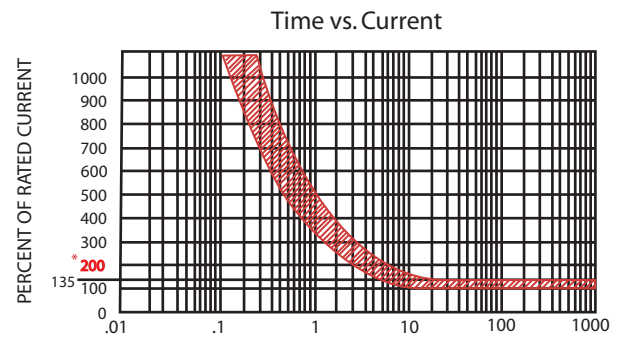
# 93528 & # 6180UG  
(IEC934)

## Ordering Information



(Example)

MB1 P 15 PH  
Model Terminal Amp Mounting  
Number Type Rating Hardware



100% overload = NO TRIP @ 25 & 40 degrees C  
200% overload = 2.6 - 6.5 seconds 250% overload = 1.5 - 3.1 seconds  
300% overload = .96 - 1.8 seconds 400% overload = .48 - .92 seconds  
600% overload = .21 - .39 seconds



1260 Rt.22 West

Mountainside, N.J. 07092 U.S.A.

www.snapaction.net

Phone: 908-654-4380