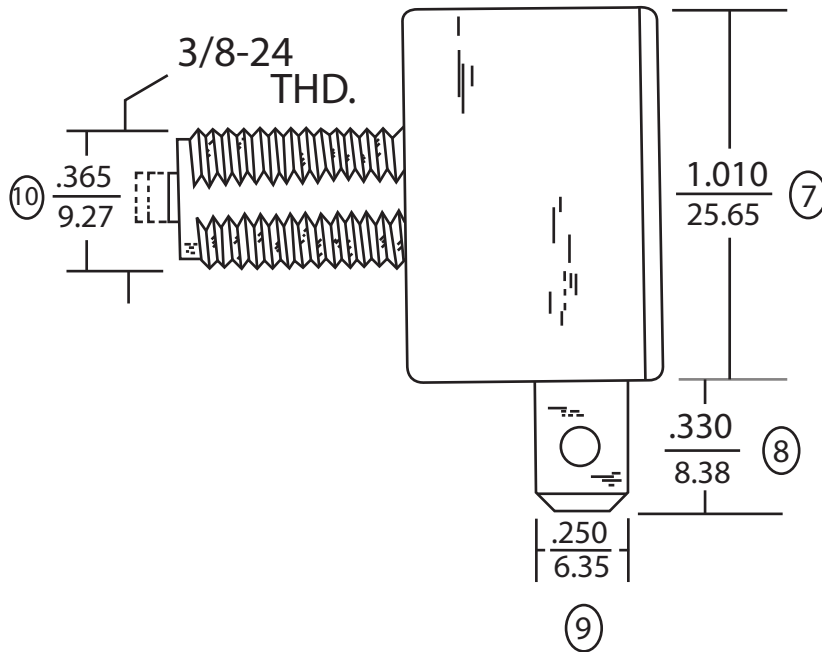
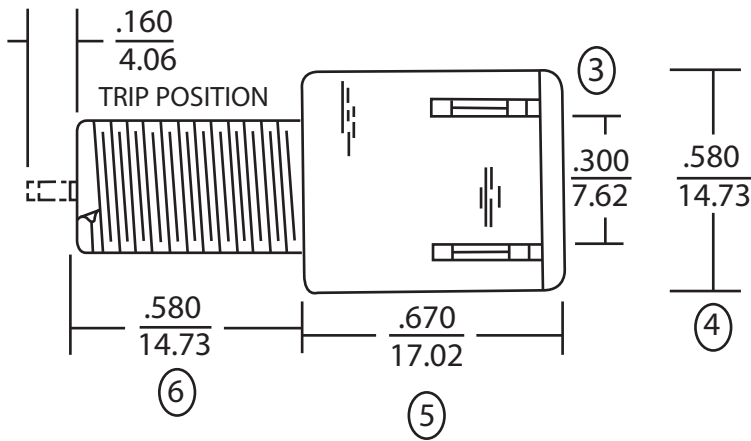
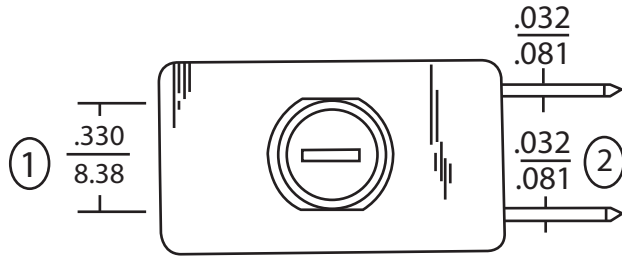


# MB1 CIRCUIT BREAKER

"Q" - QUICK CONNECT TERMINAL

3/8 - 24 THREADED MOUNT



ITEM	DIMENSION & TOLERANCE		
	DIM.	TOL.	MIN/ MAX
①	.330	$\begin{smallmatrix} + \\ - \end{smallmatrix} .005$	.325/.335
②	.032	$\begin{smallmatrix} + \\ - \end{smallmatrix} .002$	.030/.034
③	.300	$\begin{smallmatrix} + \\ - \end{smallmatrix} .015$	.285/.315
④	.580	$\begin{smallmatrix} + \\ - \end{smallmatrix} .010$	.570/.590
⑤	.670	$\begin{smallmatrix} + \\ - \end{smallmatrix} .010$	.660/.680
⑥	.580	$\begin{smallmatrix} + \\ - \end{smallmatrix} .010$	.570/.590
⑦	1.010	$\begin{smallmatrix} + \\ - \end{smallmatrix} .010$	1.100/1.120
⑧	.330	$\begin{smallmatrix} + \\ - \end{smallmatrix} .010$	.320/.340
⑨	.250	$\begin{smallmatrix} + \\ - \end{smallmatrix} .005$	.240/.260
⑩	.365	$\begin{smallmatrix} + \\ - \end{smallmatrix} .005$	.360/.370